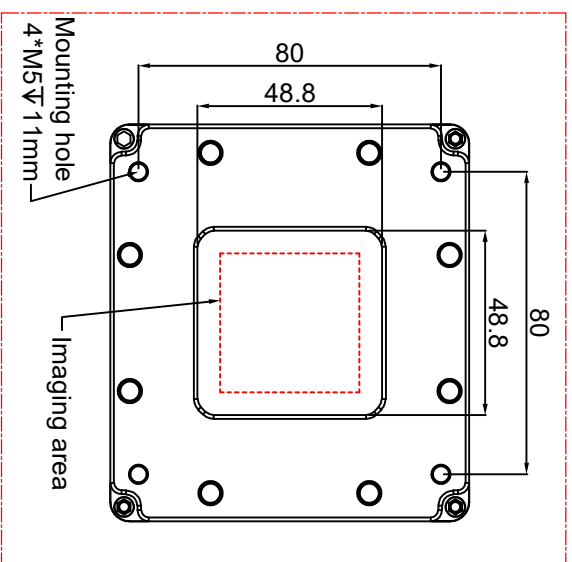
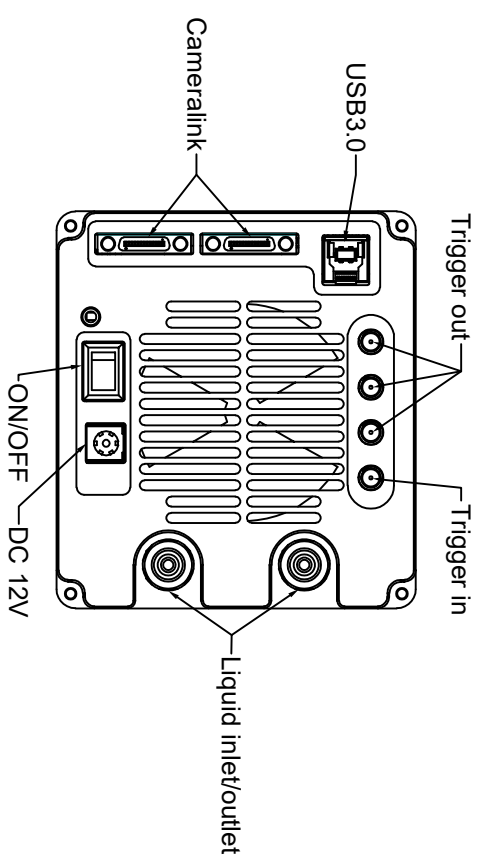
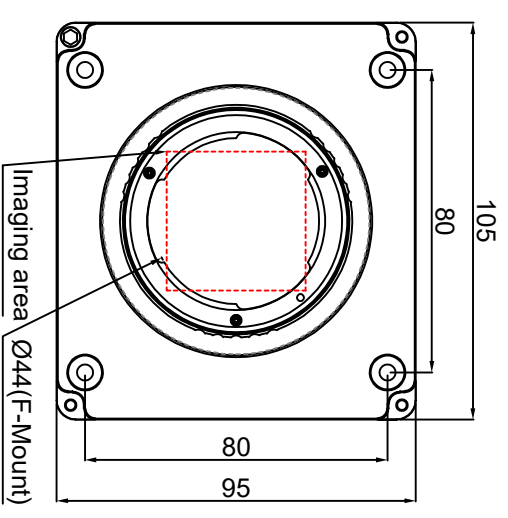


*21.58° is the incident angle for lens without F-Mount. The angle for F-Mount should be prevailed with actual lens.



The view for camera without F-mount



TUCSEN									
Project					DHYANA 4040 V2/BSI				
Structure					CS-15-2				
Ver.	Name	Date	Updates		Note	Part name			
Prop.	HS	20220111	View		Scale	Part code			
Audit			View		1:2	Material			
Process			Page 1						
Approve			1 page in total						